

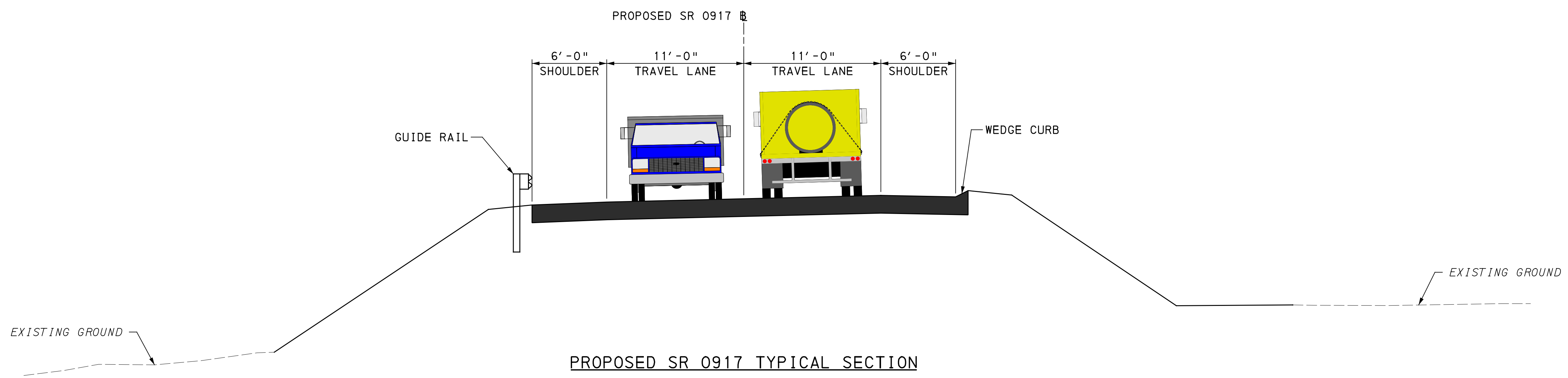
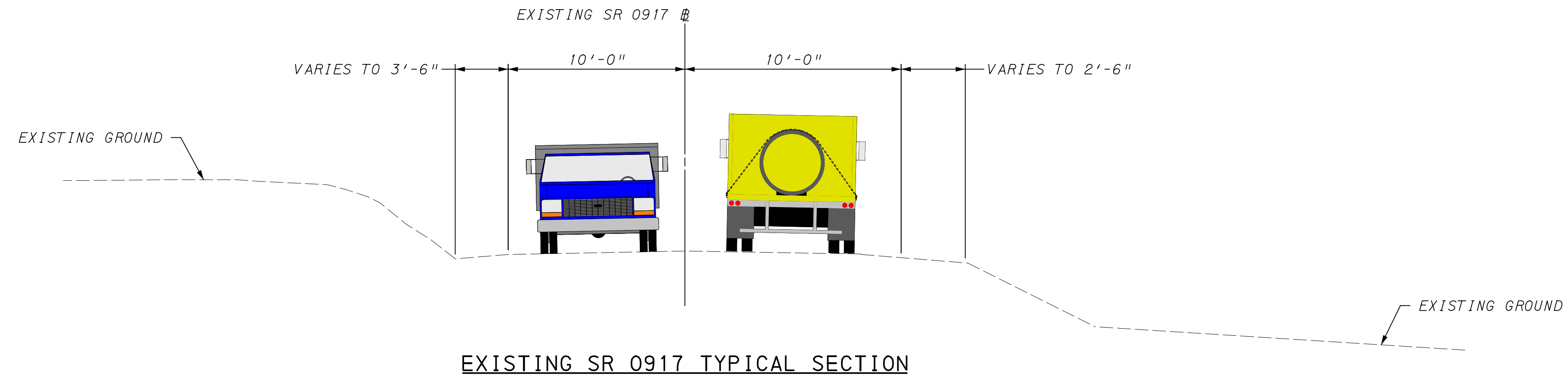
SR 0070 SEC 21H (I-70 BENTLEYVILLE INTERCHANGE PROJECT)

MAINLINE TYPICAL SECTION



SCALE: NA

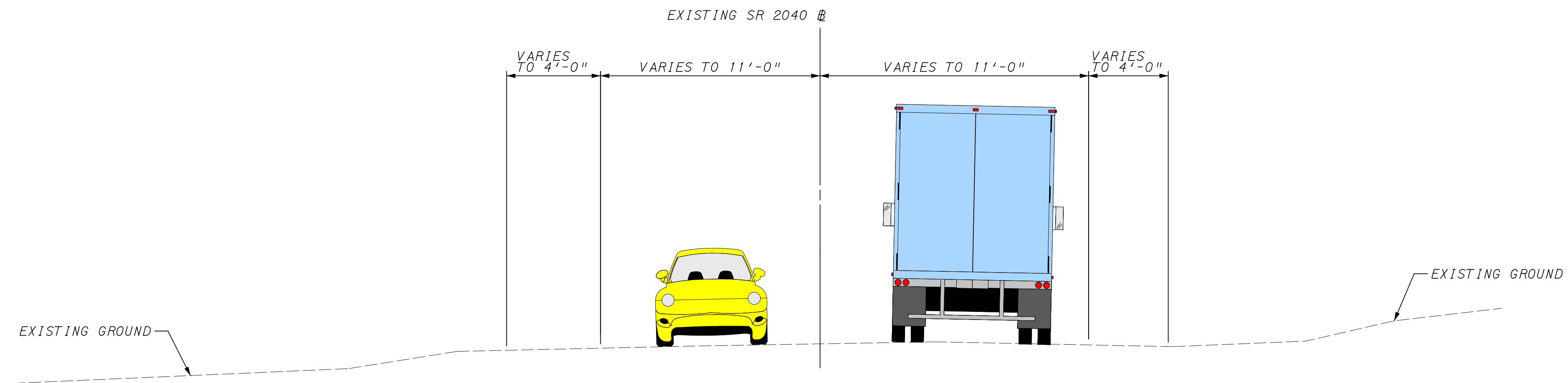
DATE: MARCH 25, 2014



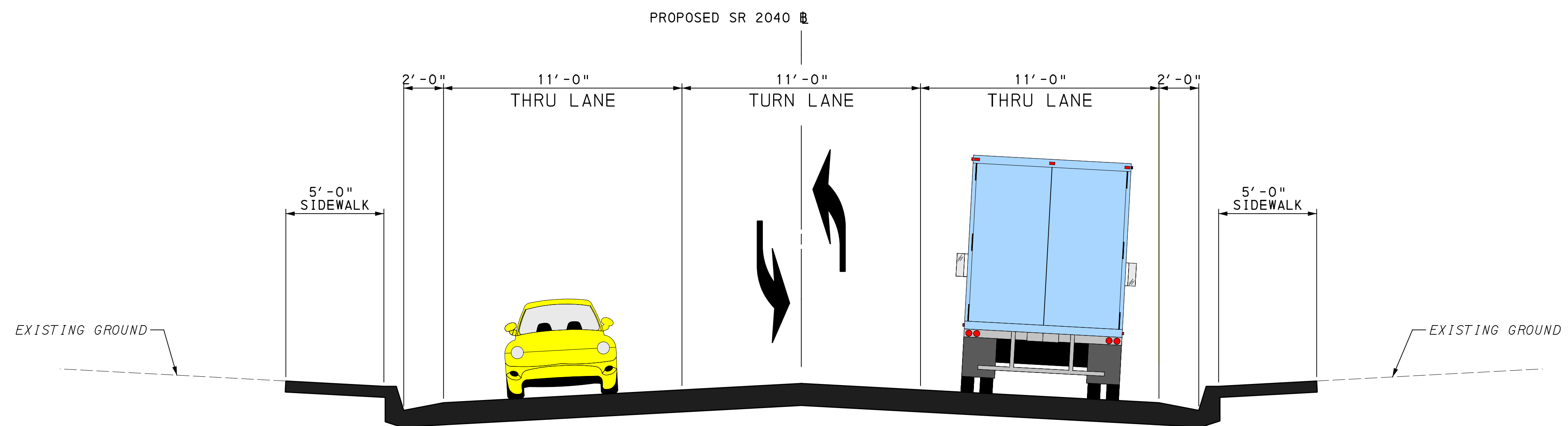
SR 0070 SEC 21H (I-70 BENTLEYVILLE INTERCHANGE PROJECT)

SR 0917 TYPICAL SECTION

SCALE: NA DATE: MARCH 25, 2014



EXISTING SR 2040 TYPICAL SECTION



PROPOSED SR 2040 TYPICAL SECTION

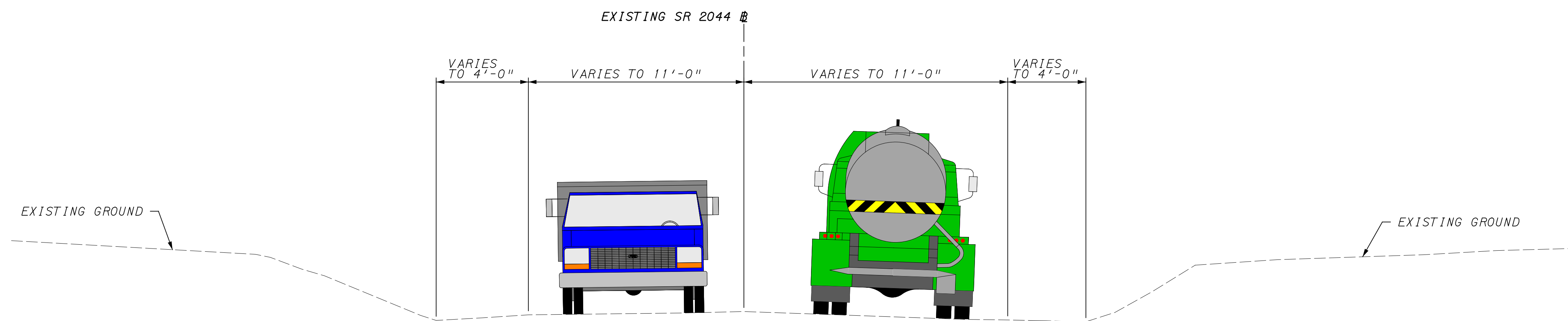
SR 0070 SEC 21H (I-70 BENTLEYVILLE INTERCHANGE PROJECT)

SR 2040 TYPICAL SECTION

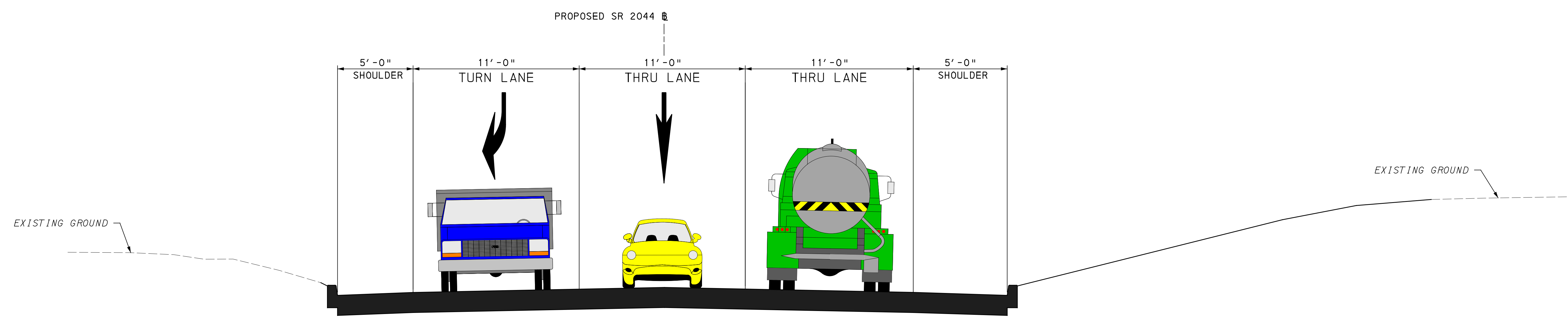


SCALE: NA

DATE: MARCH 25, 2014



SR 2044 EXISTING TYPICAL SECTION



SR 2044 PROPOSED TYPICAL SECTION

SR 0070 SEC 21H (I-70 BENTLEYVILLE INTERCHANGE PROJECT)

SR 2044 TYPICAL SECTION


pennsylvania
 DEPARTMENT OF TRANSPORTATION


ms consultants, inc.
 engineers, architects, planners


 DEPARTMENT OF TRANSPORTATION
 UNITED STATES OF AMERICA

SCALE: NA

DATE: MARCH 25, 2014